

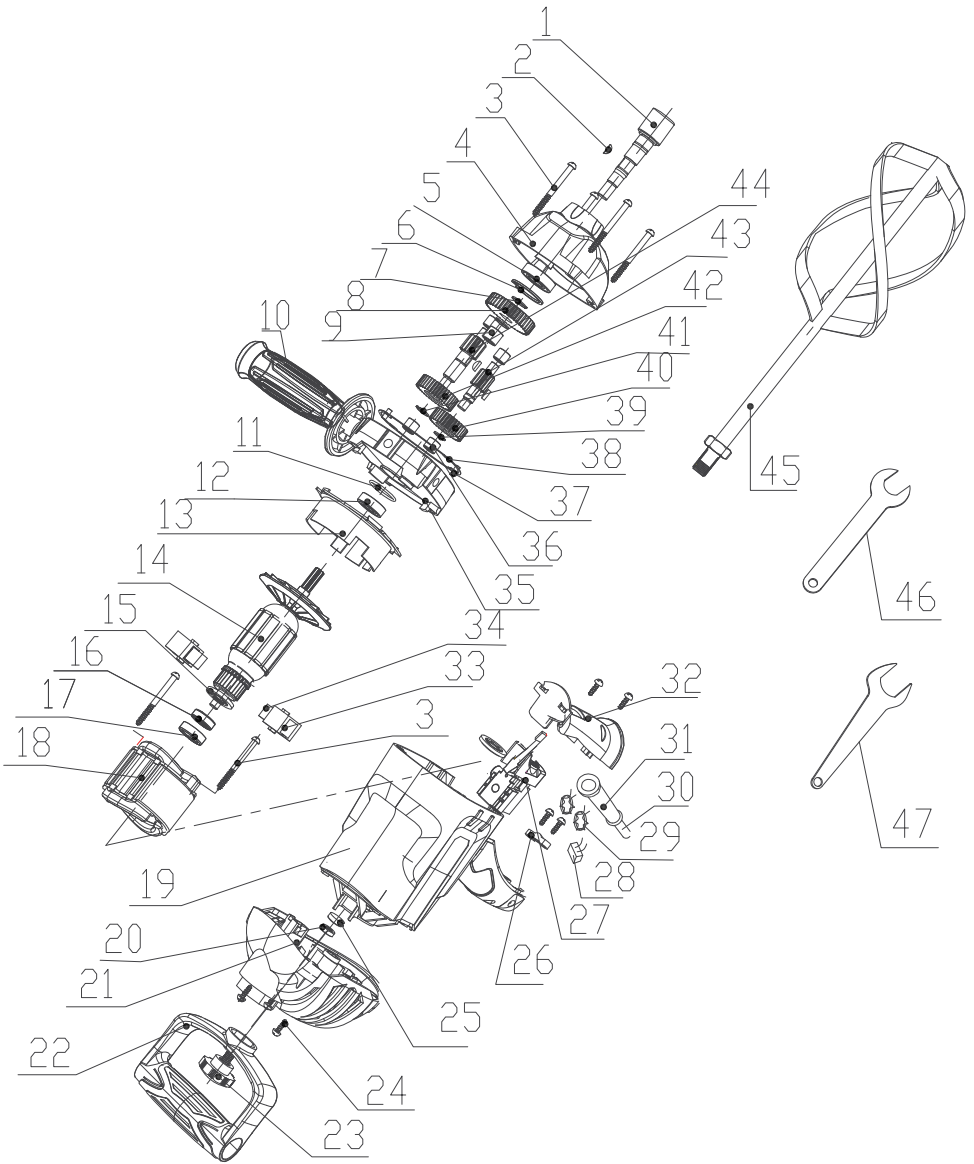
PARTS LIST AMX110

AMX110

Power Mixer Drill 1050W-230V (Inc.Rod)

No	Description	Quantity	Part #	No	Description	Quantity	Part #
1	Output Shaft	1	MMP11001	25	Inside Cover Of Back Handle	1	MMP11025
2	Semi-Circular Key 3-3,7-10	3	MMP11002	26	Cable Pressing Board	1	MMP11026
3	Screw St 4,8-48	6	MMP11003	27	Switch	1	MMP11027
4	Gear Box	1	MMP11004	28	Capalitar	1	MMP11028
5	Bearing 6002	1	MMP11005	29	Inductor	1	MMP11029
6	Elastic Collar 32	1	MMP11006	30	Cable	1	MMP11030
7	Elastic Collar 15	1	MMP11007	31	Cable Sleeve	1	MMP11031
8	Gear For Output Shaft	1	MMP11008	32	Handle Cover	1	MMP11032
9	Bearing Hk1010	1	MMP11009	33	Brush Hold Sets	1	MMP11033
10	Handle(Including Screw M10-38)		MMP11010	34	Carbon Brush	1	MMP11034
11	Ring O	1	MMP11011	35	Middle Cover	1	MMP11035
12	Bearing 6000	1	MMP11012	36	Bearing Hk0810	4	MMP11036
13	Fan Guide	1	MMP11013	37	Pin 4-6	2	MMP11037
14	Rotor	1	MMP11014	38	Sealed Washer	1	MMP11038
15	Insulation Ring	1	MMP11015	39	Elastic Collar 10	1	MMP11039
16	Bearing 608	1	MMP11016	40	Big Gear For Main Driving Shaft	1	MMP11040
17	Rubber Cover 608	1	MMP11017	41	Elastic Collar 12	4	MMP11041
18	Stator	1	MMP11018	42	Big Gear For Sud- Driving Shaft	1	MMP11042
19	Motor Housing	1	MMP11019	43	Main Driving Shaft	1	MMP11043
20	Screw M8		MMP11020	44	Sub-Driving Shaft	1	MMP11044
21	Back Cover For Motor Housing	1	MMP11021	45	Mix Rod	1	MMP11045
22	Back Handle	1	MMP11022	46	Spanner 22#	1	MMP11046
23	Bolt For Handle Fixing		MMP11023	47	Spanner 19#	1	MMP11047
24	Screw St 3,8-14	4	MMP11024				

EXPLODED VIEW AMX110



WARNING: To reduce the risk of injury, user must read and understand operator's manual.