



AG700 Power Sander

Operation Manual: 1-15

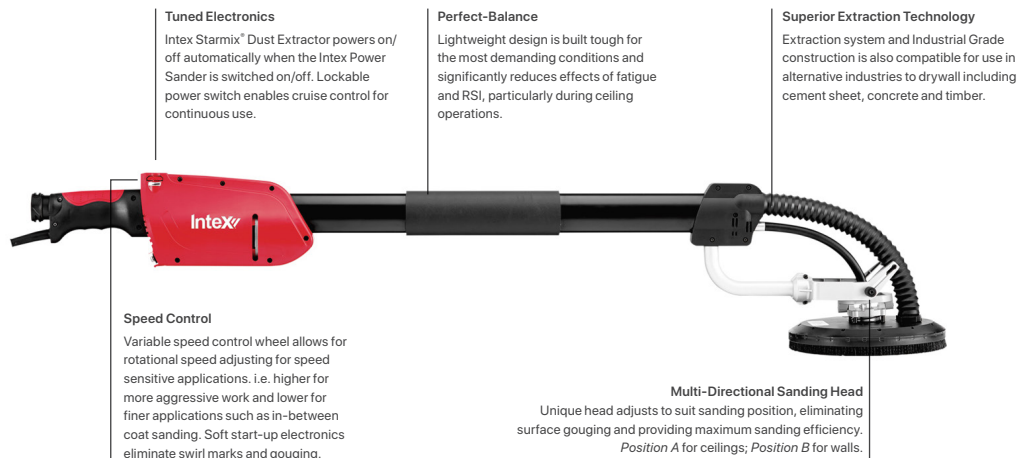
IMPORTANT NOTICE!

HEAD POSITION ① IS FOR SANDING CEILINGS
HEAD POSITION ② IS FOR SANDING WALLS & STORAGE
(See page 9)

EXCESSIVE PRESSURE APPLIED TO SANDING
SURFACE MAY RESULT IN STRAIN & POSSIBLE
BREAKAGE TO THE DRIVE SHAFT.
(See page 9)

重要需知 支头位置B 用于墙体打磨和仓储
改变支头到位置A 只用于顶棚 在不正确的设置下使用或仓储，会引起驱动轴的损坏，因此保修无效 位置A 位置B

WARNING!: Using or storing in the incorrect setting, will cause damage to the drive shaft & therefore void warranty.



Tuned Electronics

Intex Starmix™ Dust Extractor powers on/off automatically when the Intex Power Sander is switched on/off. Lockable power switch enables cruise control for continuous use.

Perfect-Balance

Lightweight design is built tough for the most demanding conditions and significantly reduces effects of fatigue and RSI, particularly during ceiling operations.

Superior Extraction Technology

Extraction system and Industrial Grade construction is also compatible for use in alternative industries to drywall including cement sheet, concrete and timber.

Speed Control

Variable speed control wheel allows for rotational speed adjusting for speed sensitive applications. i.e. higher for more aggressive work and lower for finer applications such as in-between coat sanding. Soft start-up electronics eliminate swirl marks and gouging.

Multi-Directional Sanding Head

Unique head adjusts to suit sanding position, eliminating surface gouging and providing maximum sanding efficiency. *Position A for ceilings; Position B for walls.*

Intex Power Sander

Code	AG700
Voltage	230V/50Hz or 110V/60Hz
Power Input	550 Watt
No Load Speed	650 ~ 1600 rpm
Full Load Speed	280 ~ 950 rpm
Sanding Head	Ø 215mm
Sanding Disc	Ø 225mm
Net Weight	4.65 kg (10Lbs)

CARTON CONTENTS

AG700	Intex Power Sander
AG001	H/D Vacuum Hose - 4.3m
AG066B	Cushioned Interface Pad
AGHKEY6	L-Hex 6mm Wrench Tool
MANAG700	Instruction Manual

WARNING! Read all safety warnings and all instructions. Failure to follow the warnings and instructions may result in electric shock, fire and/or serious injury. Save all warnings and instructions for future reference. The term "power tool" in the warnings refers to your mains operated (corded) power tool or battery-operated (cordless) power tool.

1) WORK AREA SAFETY

- a. Keep work area clean and well lit. Cluttered or dark areas invite accidents.
- b. Do not operate power tools in explosive atmospheres, such as in the presence of flammable liquids, gases or dust. Power tools create sparks which may ignite the dust or fumes.
- c. Keep children and bystanders away while operating a power tool. Distractions can cause you to lose control.

2) ELECTRICAL SAFETY

- a. Power tool plugs must match the outlet. Never modify the plug in any way. Do not use any adapter plugs with earthed (grounded) power tools. Unmodified plugs and matching outlets will reduce risk of electric shock.
- b. Avoid body contact with earthed or grounded surfaces such as pipes, radiators, ranges and refrigerators. There is an increased risk of electric shock if your body is earthed or grounded.
- c. Do not expose power tools to rain or wet conditions. Water entering a power tool will increase the risk of electric shock.
- d. Do not abuse the cord. Never use the cord for carrying, pulling or unplugging the power tool. Keep cord away from heat, oil, sharp edges or moving parts. Damaged or entangled cords increase the risk of electric shock.
- e. When operating a power tool outdoors, use an extension cord suitable for outdoor use. Use of a cord suitable for outdoor use reduces the risk of electric shock.
- f. If operating a power tool in a damp location is unavoidable, use an earth leakage circuit breaker. Use of an earth leakage circuit breaker reduces the risk of electric shock.

3) PERSONAL SAFETY

- a. Stay alert, watch what you are doing and use common sense when operating a power tool. Do not use a power tool while you are tired or under the influence of drugs, alcohol or medication. A moment of inattention while operating power tools may result in serious personal injury.
- b. Use personal protective equipment. Always wear eye protection. Protective equipment such as dust mask, non-skid safety shoes, hard hat, or hearing protection used for appropriate conditions will reduce personal injuries.
- c. Prevent unintentional starting. Ensure the switch is in the off-position before connecting to power source and/or battery pack, picking up or carrying the tool. Carrying power tools with your finger on the switch or energising power tools that have the switch on invites accidents.

- d. Remove any adjusting key or wrench before turning the power tool on. A wrench or a key left attached to a rotating part of the power tool may result in personal injury.
- e. Do not overreach. Keep proper footing and balance at all times. This enables better control of the power tool in unexpected situations.
- f. Dress properly. Do not wear loose clothing or jewellery. Keep your hair, clothing and gloves away from moving parts. Loose clothes, jewellery or long hair can be caught in moving parts.
- g. If devices are provided for the connection of dust extraction and collection facilities, ensure these are connected and properly used. Use of dust collection can reduce dust-related hazards.

4) POWER TOOL USE AND CARE

- a. Do not force the power tool. Use the correct power tool for your application. The correct power tool will do the job better and safer at the rate for which it was designed.
- b. Do not use the power tool if the switch does not turn it on and off. Any power tool that cannot be controlled with the switch is dangerous and must be repaired.
- c. Disconnect the plug from the power source and/or the battery pack from the power tool before making any adjustments, changing accessories, or storing power tools. Such preventive safety measures reduce the risk of starting the power tool accidentally.
- d. Store idle power tools out of the reach of children and do not allow persons unfamiliar with the power tool or these instructions to operate the power tool. Power tools are dangerous in the hands of untrained users.
- e. Maintain power tools. Check for misalignment or binding of moving parts, breakage of parts and any other condition that may affect the power tool's operation. If damaged, have the power tool repaired before use. Many accidents are caused by poorly maintained power tools.
- f. Keep cutting tools sharp and clean. Properly maintained cutting tools with sharp cutting edges are less likely to bind and are easier to control.
- g. Use the power tool, accessories and tool bits etc., in accordance with these instructions, taking into account the working conditions and the work to be performed. Use of the power tool for operations different from those intended could result in a hazardous situation.

5) SERVICE

Have your power tool serviced by an Authorised Service Center, using only identical and genuine Intex replacement parts.

NOTE: We recommend the power tool be serviced at least once per year. This will ensure that the safety and operation of the power tool is maintained.

SYMBOLS USED IN THIS MANUAL

V	volts		read these instructions
A	amperes		always wear eye protection
Hz	hertz		always wear a dust mask.
W	watt		always wear hearing protection
~	alternating current		wear safety-approved hard hat
n_0	no load speed		do not dispose of electric tools, accessories and packaging together with household waste material
min ⁻¹	revolutions or reciprocation per minute		warning of general danger
	class II tool		
	with electrical earth		

SPECIFIC SAFETY RULES

1. Keep hands away from rotating sanding head area at all times!
2. Prolonged breathing of airborne dust from drywall sanding may effect respiratory function: Always use a vacuum cleaner with a bag approved for drywall dust installed. Always wear a respirator approved for dust and mist.
3. Sanding LEAD-BASED paint is extremely toxic and should not be attempted. Only allow professionals with special training and equipment perform this task.
4. Maintain proper footing and balance at all times. Do not overreach. Use proper scaffolding.
5. Always wear appropriate safety equipment when operating.
6. Important: After completing sanding, switch off the switch and wait for the coasting sanding head to stop completely before putting the tool down.
7. Never operate the tool in an area with flammable solids, liquids, or gases. Sparks from the commutator/carbon brushes could cause a fire or explosion.
8. There are certain applications for which this tool was designed. The manufacturer strongly recommends that this tool NOT be modified and/or used for any application other than for which it was designed. If you have any questions relative to its application DO NOT use the tool until you have written the manufacturer and have been advised.
9. Use the machine with both hands at all times. Loss of control can cause personal injury.
10. Keep power supply cord clear from the working range of the machine. Always lead the cable away behind you.
11. Immediately switch off the machine if unusual vibrations or if other malfunctions occur. Check the machine in order to find out the cause.
12. The dust that arises when working with this tool can be harmful to health. Use a dust absorption system and wear a suitable dust protection mask and remove deposited dust with a vacuum cleaner.

FUNCTIONAL DESCRIPTION

This Electric Dustless Power Sander is specially designed for the most efficient sanding of drywall or plaster walls and ceilings for both new construction and renovation work. It is designed to work in conjunction with a vacuum cleaner for minimum dust and best sanding results. The pivoting sanding head allows excellent results with minimum time and effort.



For superior dust extraction, we recommend the german made range of Intex starmix® dust extractors/vacuums.

ELECTRICAL CONNECTION

The network voltage must conform to the voltage indicated on the tool name plate. Under no circumstances should the tool be used when the power supply cable is damaged. A damaged cable must be replaced immediately by an authorized Customer Service Center. Do not try to repair the damaged cable yourself. The use of damaged power cables can lead to an electric shock.

EXTENSION CABLE

If an extension cable is required, it must have a sufficient cross-section so as to prevent an excessive drop in voltage or overheating. An excessive drop in voltage reduces the output and can lead to failure of the motor.

The following table shows you the correct cable diameter as a function of the cable length for this machine. Use only U.L. and CSA listed extension cables. Never use two extension cables together. Instead, use one long one.

Total Extension Cord Length (feet)	Cord Size (AWG)
25	16
50	12
100	10
150	8
200	6

UNPACKING

Carefully remove the tool and all loose items from the shipping container. Retain all packing materials until after you have inspected and satisfactorily operated the machine.

CARTON CONTENTS

AG700	Intex Power Sander
AG001	H/D Vacuum Hose - 4.3m
AG066B	Cushioned Interface Pad
AGHKEY6	L-Hex 6mm Wrench Tool
MANAG700	Instruction Manual

DO NOT OPERATE THIS TOOL UNTIL YOU READ AND UNDERSTAND THE ENTIRE INSTRUCTION MANUAL

TO REPLACE SUPER PAD ABRASIVE

1. Unplug the machine.
2. Peel away the worn out sandpaper disc, leaving the sponge backing pad in place.
3. Carefully center the new sandpaper disc and press into place. It will be held securely by the hook and loop backing.



For excellent finish, we recommend the German made range of Intex Useit® Super Pads.

TO REPLACE CUSHIONED INTERFACE PAD

The sponge pad must be perfectly flat to get good sanding results. If it is deformed or damaged it will cause very uneven sanding. Always replace it when damaged. It is hook and loop on both sides, so to Replace it, peel it away from the hook and loop on the Sanding Plate Base and affix a new one.

BRUSH BRISTLES ON THE EDGE OF THE SANDING PLATE COVER

The brush bristles on the edge of the Sanding Plate Cover serve two purposes, they keep the sanding disc properly aligned with the work surface without gouging and they also help the efficiency of the dust collection by the vacuum cleaner. These brush bristles will wear with continued use. The Sanding Plate Cover should be replaced when the bristles are too worn to ensure effective dust collection and stabilization of the sanding head.

TO REPLACE SANDING PLATE COVER

1. Hold the sanding plate in one hand and with the other, using the L-hex wrench (supplied), first break free the center bolt clockwise (1/8 turn only!). Then only use the L-hex wrench to hold the center bolt from turning and spin off the sanding plate counterclockwise.



FUNCTIONAL DESCRIPTION

2. Then, press the cover down against the spring and, using snap-ring pliers, remove the circlip which holds the sanding plate cover to the bracket.



3. Finally, carefully work the vacuum hose free then lift sanding plate cover away. Replacement is the opposite of removal. Don't forget the spring. Entrust all repairs to an Authorised Service Center.



TO INSTALL THE VACUUM CLEANER HOSE

1. Unplug the machine.
2. Plug the vacuum cleaner hose bayonet mount into the swivel mount in the back of the machine. Once the tangs of the bayonet mount are fully inserted in the slots, hold the swivel mount from turning and turn the hose bayonet mount clockwise to lock.
3. Removal is the opposite of assembly.



THE VACUUM CLEANER

Ensure that you have a bag installed in your vacuum cleaner which is approved and rated for drywall dust.

WARNING: Failure to use an approved dust bag in your vacuum will increase the level of airborne dust in the work area. Prolonged exposure to such dust may cause respiratory harm.



For superior dust extraction, we recommend the german made range of Intex starmix® dust extractors/vacuums.

STARTING AND STOPPING TOOL

Make sure that the power circuit voltage is the same as that shown on the specification plate of the machine and that switch is "OFF" before connecting the tool to the power circuit.

To switch on:

While holding with the left hand on the column and the right hand on the main handle, Press the rocker switch to the "on" position. Anticipate and be ready for the start up torque when the machine first starts.

To switch off:

Press the rocker switch to the "off" position. After the machine has been switched off, the sanding disc will still rotate for a time. Take care that parts of your body do not come into contact with the disc and do not set the machine down while it is still rotating!



ON & OFF Switch

ADJUSTING THE ROTATION SPEED

The speed of the machine is variable to suit different tasks. It can be adjusted from 650/min up to 1600/min by using the thumb wheel. Turn in the counterclockwise direction to increase the speed and in the clockwise direction to decrease the speed. Generally, you should use the higher speed for fast stock removal and the lower speed for more precise control.

Speed Adjustment



Note: We recommend the rotation thumb wheel be set to high speed during operation for sufficient airflow to the motor.

POSITIONING THE SANDING HEAD

There are two positions for the Sanding Head:

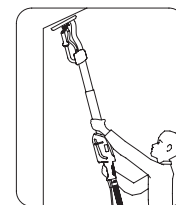
Position A: For sanding ceilings only.

Position B: For sanding walls and also for storage.

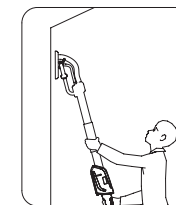
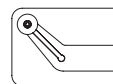
The position for ceilings (position A in the diagram) has the pivot fixed out at the very end of the fork. The position for sanding walls and for storage (position B in the diagram), has the pivot fixed at the middle position of the fork. To adjust, simply pull the 2 spring loaded catches outwards, slide the pivot to the new position and allow the catches to snap into place.



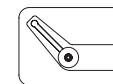
Head Locking Catches



Position A



Position B



IMPORTANT NOTICE!

THE HEAD POSITION B IS FOR SANDING WALLS & ALSO FOR STORAGE;

CHANGE THE HEAD SETTING TO POSITION A FOR CEILING ONLY.

Using or storing in the incorrect setting, will cause damage to the Drive Shaft & therefore void warranty.

HOW TO USE THE TOOL

Effective control of this powerful saw requires **two-handed** operation for maximum safety and control. The proper hold is to keep one hand on the main handle and the other hand on the sponge grip on the column. It is vitally important to keep stable footing at all times, especially when standing on scaffolding or stilts.

SANDING OPERATIONS

1. Once the machine and vacuum cleaner are set up and all safety measures and equipment are in place, begin by turning on the vacuum cleaner and then the machine. (If you are using a vacuum cleaner with integrated switching, then simply turn the machine on).

FUNCTIONAL DESCRIPTION

2. Begin sanding and carefully contact the work surface as lightly as possible—just enough to keep the sanding head flat against the surface.

Note: Excessive pressure applied to the sanding surface may result in strain and possible drive shaft breakage. This may void warranty.

3. The joints in the sanding head allow the sanding disc to follow the contours of the work surface.
4. The best technique is to use overlapping sweeps and keep the head in constant motion. Never stop too long in any one place or there will be swirl marks. With experience it will be very easy to create excellent results.

Note: Ensure that the Super Pad abrasive you are using is suited to the task. Overly coarse grit paper may remove material too quickly to control. While overly fine grit paper may clog too often and not shape down the surface. For more information on grits types visit intex.com.au

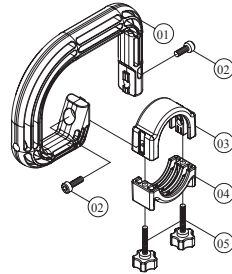


For excellent finish, we recommend the German made range of Intex Useit® Super Pads.

CAUTION: Take care to avoid pointed projections and nails, etc. This will wipe out the sandpaper and probably damage the sponge pad as well.

MOUNTING THE OPTIONAL BAIL HANDLE

1. Loosen 2 Thumb Screws (05) and remove Clamp Cap (04).
2. Place handle in the desired position on the shaft.
3. Clamp handle in place by replacing the Clamp Cap and tightening the Thumb Screws.



MAINTENANCE

Every 50 hours of operation blow compressed air through the motor while running at no load to clean out accumulated dust. (If operating in especially dusty conditions, perform this operation more often).

Periodically blow out all air passages with dry compressed air. All plastic parts should be cleaned with a soft damp cloth. NEVER use solvents to clean plastic parts. They could possibly dissolve or otherwise damage the material. Wear safety glasses while using compressed air. Clean the vacuum swivel connector as too much dust will keep it from turning freely.

THE CARBON BRUSHES

The Carbon Brushes are a normal wearing part and must be replaced when they reach their wear limit.

The Intex Power Sanders are fitted with an auto-stop Carbon Brush, this mechanism will stop the Motor when the brush reaches its wear limit, preventing damage to the Armature.

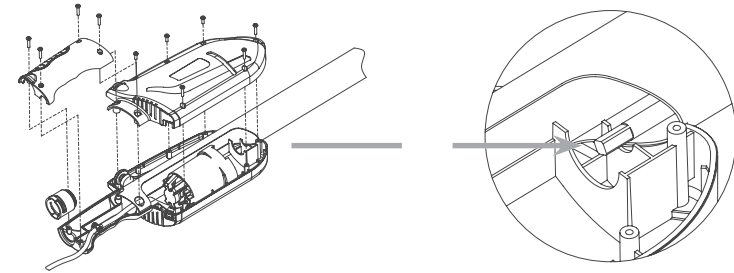
NOTE: Checking and replacing the carbon brushes should be entrusted to a Authorised Service Center.

TO INSPECT OR REPLACE BRUSHES;

1. Unplug the machine and lay it on its left side.
2. Unscrew the Handle Housings by removing the four screws.
3. Remove the housing covers by removing the six screws.
4. Remove the Motor, while ensuring the first Drive Shaft, located in the column, remains attached to the secondary Drive Shaft.
5. Unscrew the two Carbon Brush Holders and remove the Carbon Brushes.

NOTE: Using a pair of needle nose pliers to hold the first drive shaft in place while removing the motor will ensure the first drive shaft remains attached to the second drive shaft.

Unscrew the two Carbon Brush Holders and remove the Carbon Brushes.

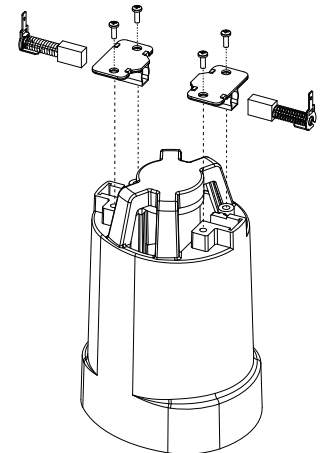


NOTE: When putting the Carbon Brushes back into the Carbon Brush Holders it is essential that both flanges go back inside the holder.

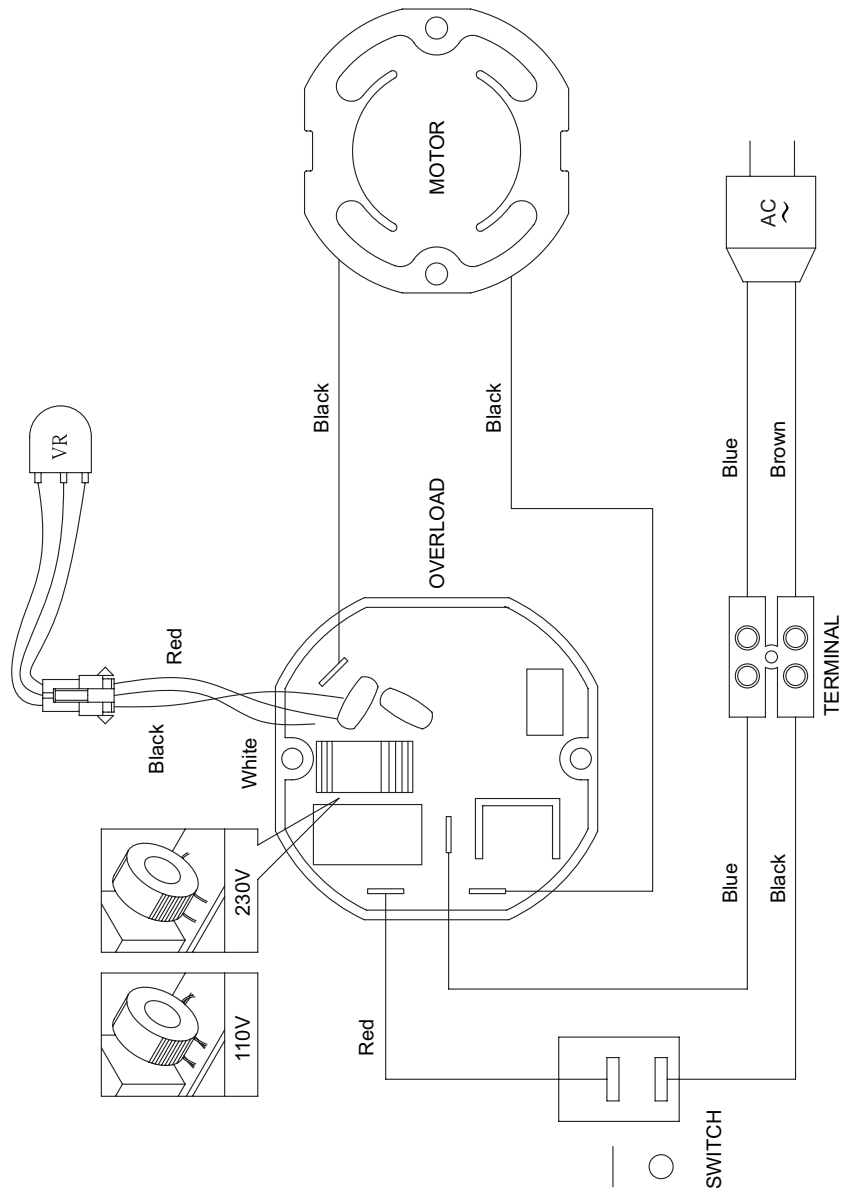
NOTE: To reinstall the same brushes, first make sure the brushes go back in the way they came out. Otherwise a break-in period will occur that will reduce motor performance and increase brush wear.

Replacing is the reverse of removal. When Replacing all covers, take great care that all wires are in place and not in a position to be pinched when they are retightened. It is recommended that, at least once a year, you take the tool to an Authorised Service Center for a thorough cleaning and lubrication.

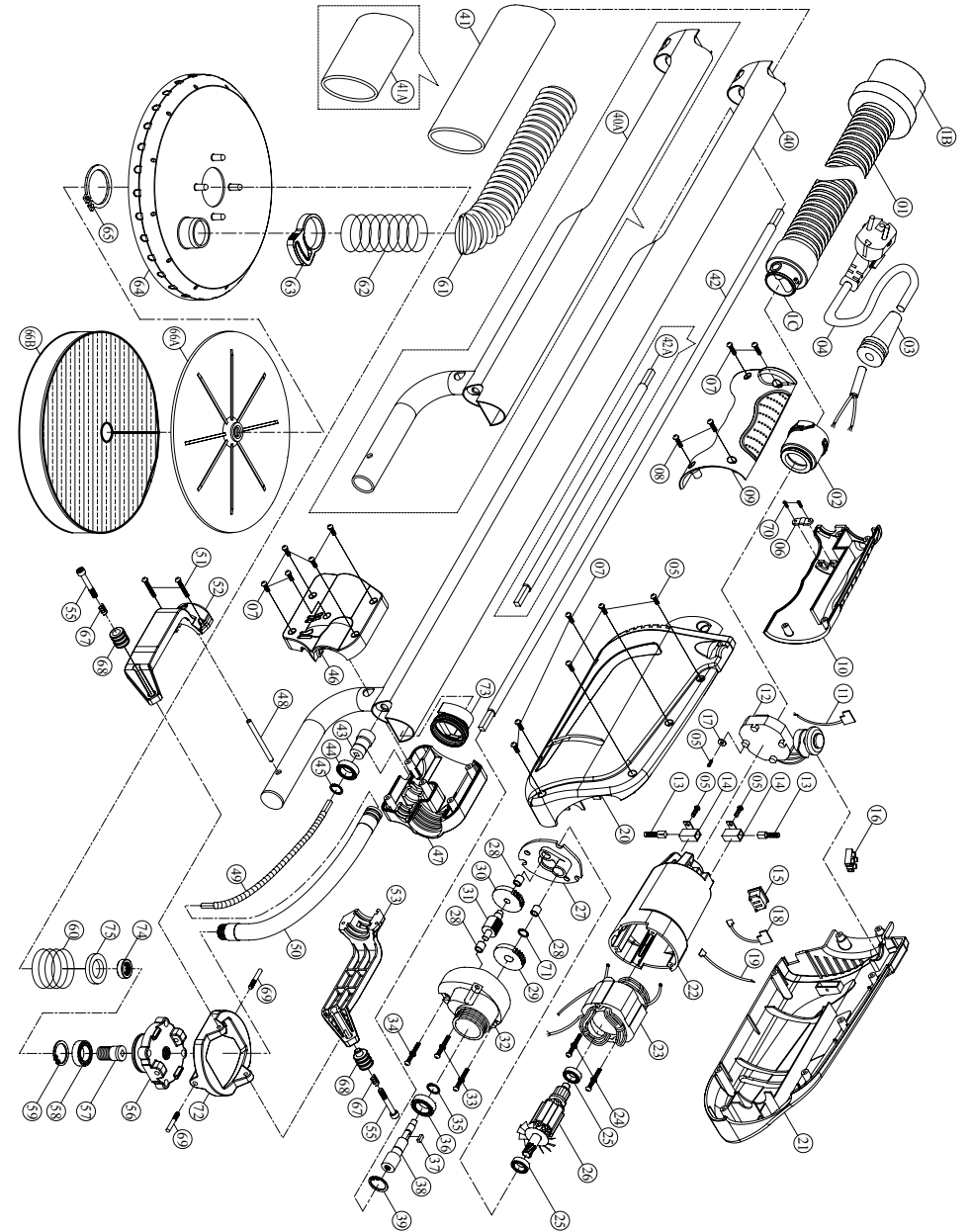
If the replacement of the power supply cord is necessary, this has to be done by the manufacturer or their agent in order to avoid a safety hazard.



THE WIRING



EXPLODED VIEW



PARTS LIST

NO.	PARTS NAME	QTY
1.	VACUUM EXTENSION HOSE 4M	1
1B.	HOSE CONNECTOR (TO VAC)	1
1C.	VACUUM HOSE SWIVEL CONNECTOR	1
2.	BAYONET HOSE CONNECTOR	1
3.	CORD ARMOR	1
* 4.	POWER SUPPLY CABLE	1
5.	SCREW M4 x 12	6
6.	CABLE CLIP	1
7.	SCREW M4 x 20	10
8.	SCREW M4 x 25	2
9.	RIGHT HANDLE COVER	1
10.	LEFT HANDLE COVER	1
11.	WIRE LEADER(BLACK)	1
12.	SPEED CONTROL UNIT	1
* 13.	CARBON BRUSH	2
14.	CARBON BRUSH HOLDER	2
15.	Motor SWITCH	1
16.	WIRE CONNECTOR	1
17.	FLAT WASHER M4	1
18.	WIRE LEADER(RED)	1
19.	WIRE LEADER(BLUE)	1
20.	RIGHT HOUSING COVER	1
21.	LEFT HOUSING COVER	1
22.	Motor HOUSING	1
23.	STATOR	1
24.	SCREW M4 x 50	2
* 25.	BALL BEARING 608 2RS	2
26.	ARMATURE	1
27.	GEAR PLATE	1
28.	BUSHING 6 x 10 x 8	3
29.	OUTPUT GEAR	1
30.	INTERMEDIATE GEAR	1
31.	INTERMEDIATE GEAR PINION	1
32.	GEAR CASE	1
33.	SCREW W/ WASHER M5 x 35	2
34.	SCREW W/ WASHER M5 x 20	1
35.	C - CLIP S-10	1
* 36.	BALL BEARING 6200 2RS	1
37.	WOODRUFF KEY 3 x 8	1
38.	SPINDLE	1
39.	C - CLIP R-30	1

NO.	PARTS NAME	QTY
40.	EXTENSION COLUMN 989.22mm	1
40A.	EXTENSION COLUMN 539.22mm	1
41.	FOAM HANDLE GRIP	1
41A.	FOAM HANDLE GRIP	1
42.	FIRST Drive Shaft 704mm	1
42A.	FIRST Drive Shaft 254mm	1
43.	SHAFT CONNECTOR	1
* 44.	BALL BEARING 6001 2RS	1
45.	C - CLIP S-12	1
46.	RIGHT DRIVE COVER	1
47.	LEFT DRIVE COVER	1
48.	HOLDING PIN 6 x 50	1
**49.	SECONDARY Drive Shaft	1
**50.	Drive Shaft COVER	1
51.	SCREW M4 x 35	2
52.	RIGHT FORK ARM	1
53.	LEFT FORK ARM	1
55.	CAP SCREW M5 x 39 x 12L	2
56.	PIVOT CONNECTING BRACKET	1
57.	CONNECTING SPINDLE	1
* 58.	BALL BEARING 6002 2RS	1
59.	C - CLIP R-32	1
60.	SPRING Ø2 x Ø49 x 40L x 4T	1
* 61.	VACUUM HOSE	1
62.	SPRING Ø1 x Ø32 x 363L x 30T	1
NO.	PARTS NAME	QTY
63.	HOSE CLAMP	1
* 64.	Sanding Plate COVER	1
65.	C - CLIP S-40	1
66A.	Sanding Plate BASE	1
*66B.	HOOK & LOOP SPONGE PAD	1
67.	SPRING Ø0.8 x Ø6 x 16L x 4T	2
68.	HEAD LOCKING KNOB	2
69.	SCREW M5	2
70.	SCREW M4 x 14	2
71.	C - CLIP S-8	1
72.	PIVOT BASE	1
73.	DUST GUIDE	1
74.	SHAFT RACE M14 x Ø20 x 6.5	1
75.	RADIAL SHAFT SEAL Ø20 x Ø32 x 5	1

* = Non Warranty Items

** = Limited Warranty Items

WARNING: To reduce the risk of injury, user must read and understand operator's manual.

Thank you for choosing an Intex product!

To register your warranty, complete our online form @ intexinternational.com or scan QR below.



Warranty Statement:

Intex Group International Pty Ltd (*Intex*) guarantees that all products manufactured by and or for Intex shall be free from defects under normal use. Your registered warranty means that the product you have purchased is covered against such defects, in accordance with any specific warranty period and conditions stated in the manual enclosed with the product.

Warranty may invalidate due to:

- Expiry of the warranty period.
- Incorrect and unsuited product use (*i.e. not in accordance with Intex operation manual*).
- Unfulfilled specified product service or maintenance requirements.
- Careless and unsuited product handling (*i.e. damage caused by impacts, falls and climatic influences*).
- Wear and tear to normal wearing parts (*e.g. brushes, bearings, sleeves, consumable accessories etc*).
- Battery Pack faults or defects after 700 charging cycles (*even if identified inside the warranty period*).
- Product changes or modifications made from the new and original state without prior written approval from Intex.
- Service and or repairs performed by non-Authorised Intex Service Agents and or personnel.
- Non-original and genuine Intex spare parts, accessories and or consumable materials used.
- The product not being manufactured by and or for Intex.
- The product not being purchased from Intex or an Authorised Intex Reseller.
- Intex and or the Authorised Intex Reseller not having been paid in full for the product.

To find a local Authorised Service Agent, view the warranty claim process or read our terms and conditions visit intexinternational.com



intexinternational.com

MANAG700 Version: 20160726-10/23

Intex

 Power Tools

Useit[®]  starmix[®]
Super Pad[®] Dust Extractor

Starmix[®] & Useit[®] are registered Trademarks of Intex International. The information contained in this brochure was correct at the time of printing. E&OE

Starmix[®] & Useit[®] are registered Trademarks of Intex International. The information contained in this brochure was correct at the time of printing. E&OE